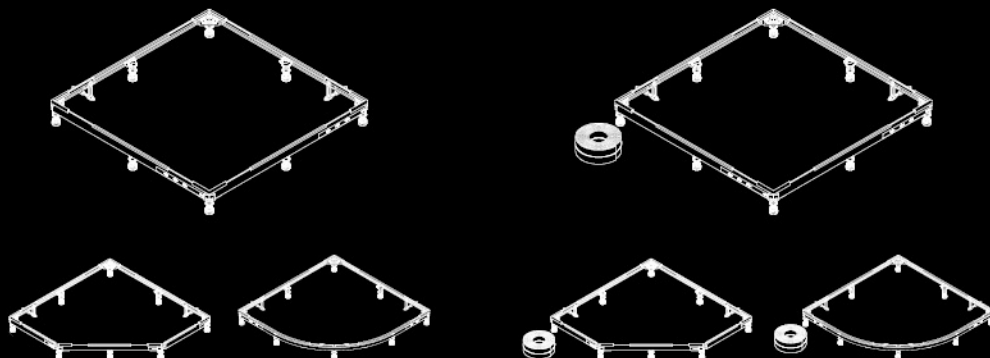


KALDEWEI

FR 5300 FLEX

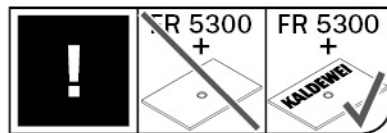
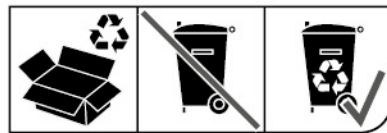
FR 5300 FLEX PLUS



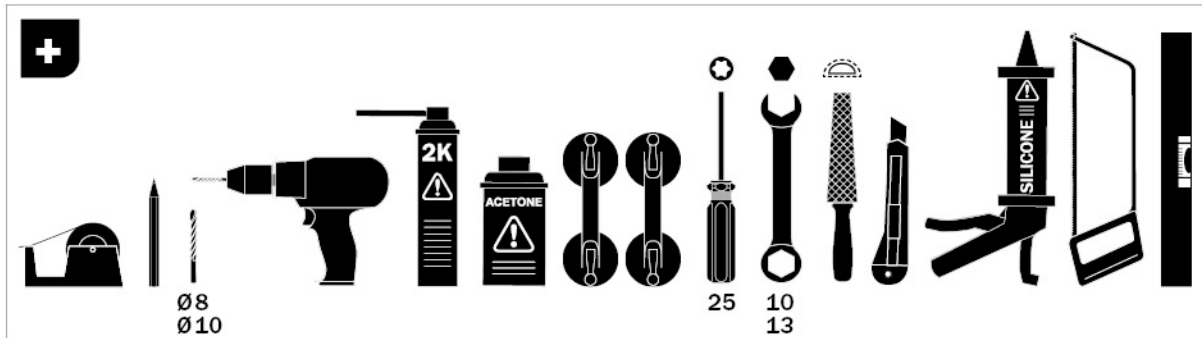
2

DE Montageanleitung | EN Installation instructions

NL Montagehandleiding | FR Instructions de montage | IT Istruzioni di montaggio
ES Instrucciones de montaje | PT Instruções de montagem | DA Monteringsvejledning
NO Monteringsanvisning | SV Monteringsanvisning | FI Asennusohje | ET Paigaldusjuhised
LV Montāžas instrukcija | LT Montavimo instrukcija | PL Instrukcja montażu | CS Návod k montáži
RU Инструкция по монтажу | UK Інструкція з монтажу | SK Návod na montáž | HU Összeszerelési utasítás | RO Instrucțiuni de montare | SL Navodila za montažo | HR Upute za montažu
BG Ръководство за монтаж | EL Οδηγίες συναρμολόγησης | TR Montaj talimatı | AR بيكرتلا ليليلد
ZH 安装说明书 | JA 設置説明書 | KO 조립설명서 | ID Petunjuk perakitan | TH คำแนะนำในการติดตั้ง
VI Hướng dẫn lắp ráp | HI स्थापना निर्देश

1.**2.**

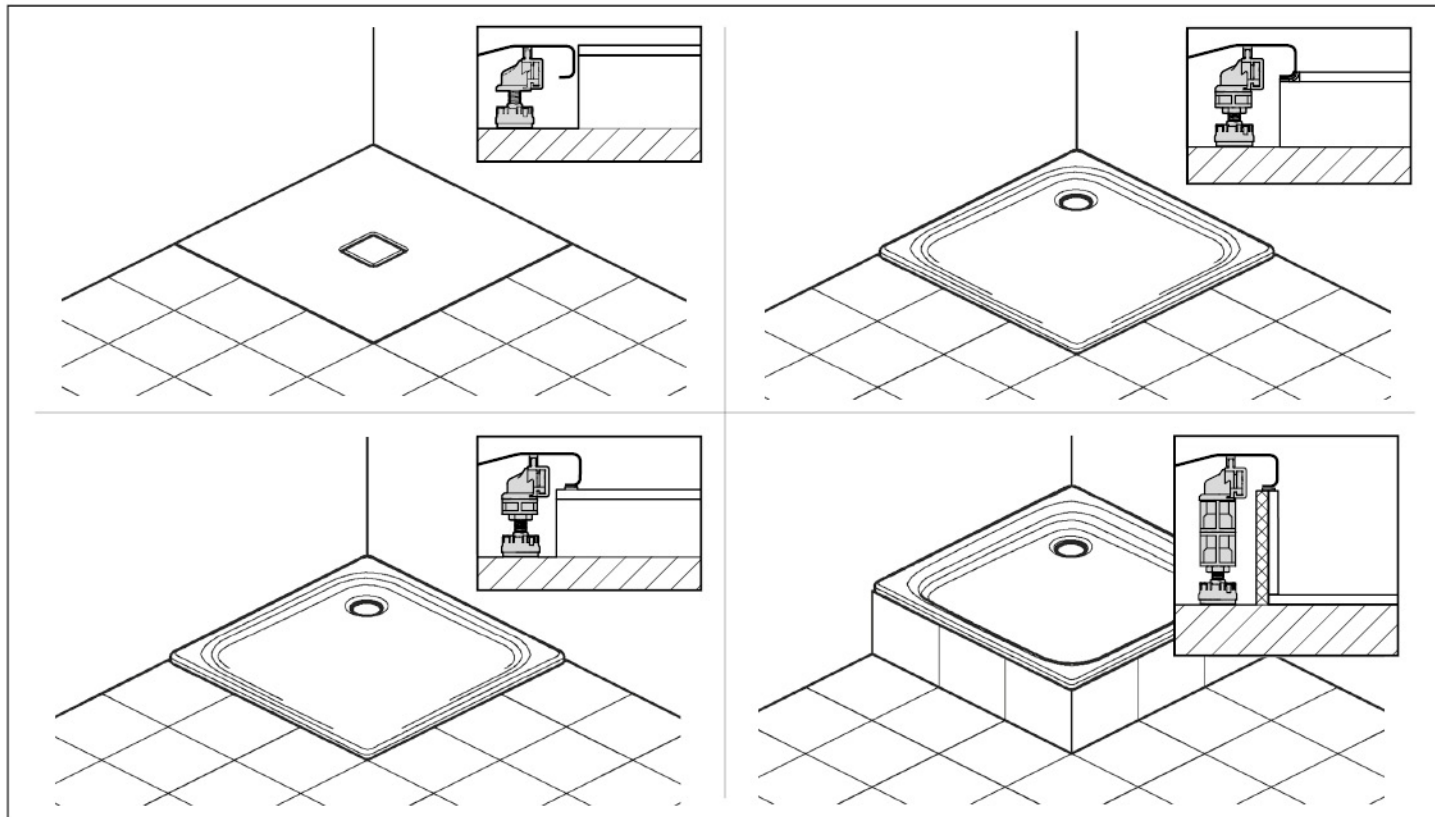
DIN 18 534
DIN EN 18 157
DIN 52 460



Ø 8
Ø 10

25

10
13



FR 5300

A FLEX

B FLEX PLUS

!

 ≤1200x1200 mm	A	8	5	4	-	4	-	4	4	2	-	1	-	1	1	
	B	9	6	4	-	4	-	4	4	2	1	1	2	2	1	
 ≤1500x1800 mm	A	12	9	4		4	8	4	4	2	-	1	-	1	1	
	B	13	10	4	-	4	8	4	4	2	2	1	2	2	1	
 ≤1000x1000 mm	A	8	6	3	-	$\frac{2}{2}$	$\frac{1}{1}$	2	3	4	2	-	1	-	1	1
	B	9	7	3	-	$\frac{2}{2}$	$\frac{1}{1}$	2	3	4	2	1	1	2	2	1
 ≤1000x1000 mm	A	8	4	3	2	5	2	3	5	2	-	1	-	1	1	
	B	9	5	3	2	5	2	3	5	2	1	1	2	2	1	

Inch = mm x 0,0394

A

WAS 70



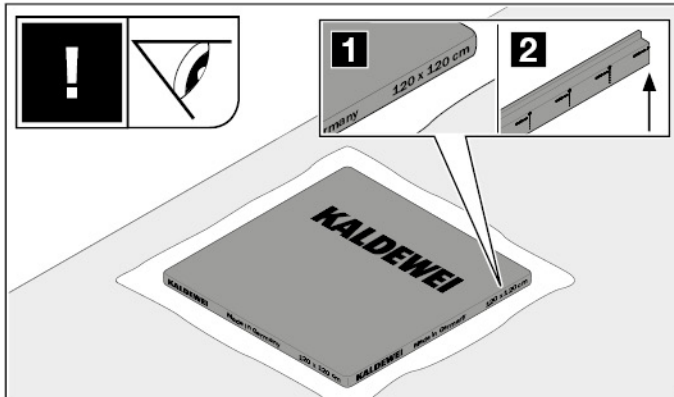
KA 90 / KA 120 / KA 125

**B**

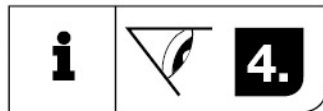
KA 90 / KA 120 / KA 125



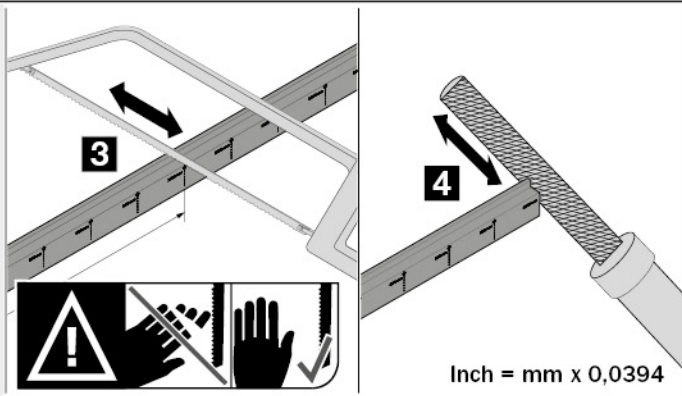
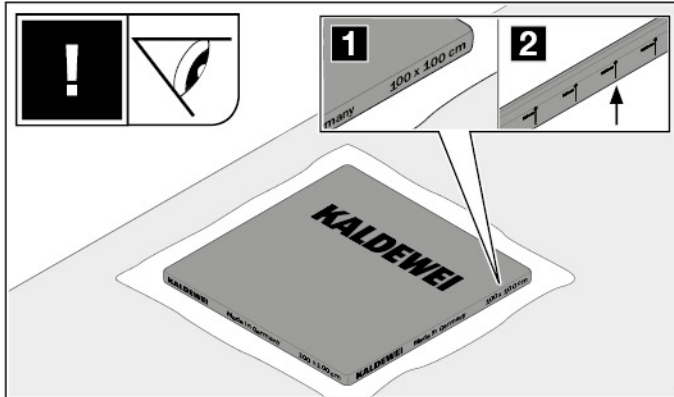
a



- 900 x 900 mm
1200 x 1200 mm
- 1000 x 1000 mm
ZIRKON | ARRONDO
- 1000 x 1000 mm
CORNEZZA



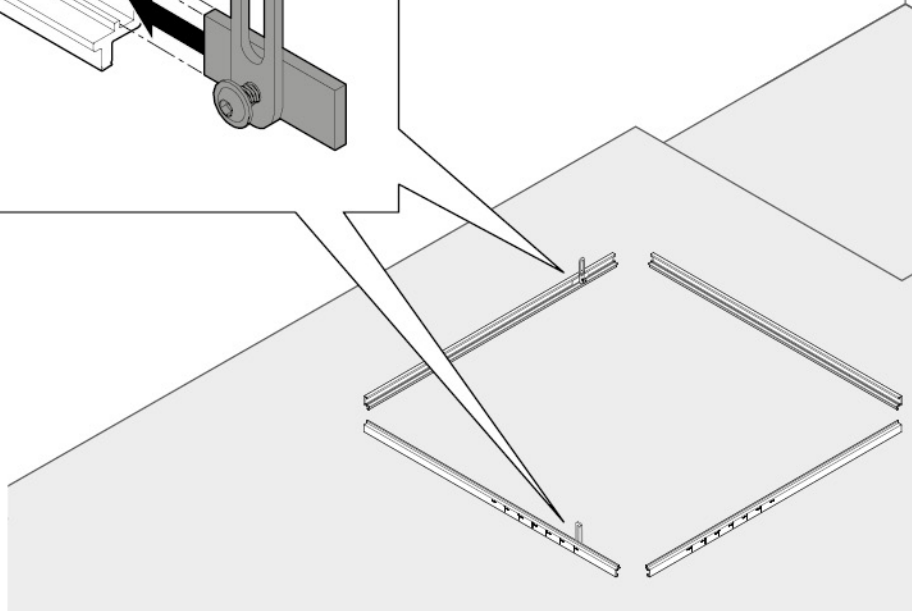
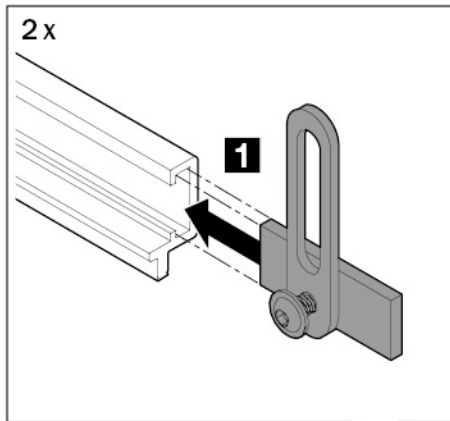
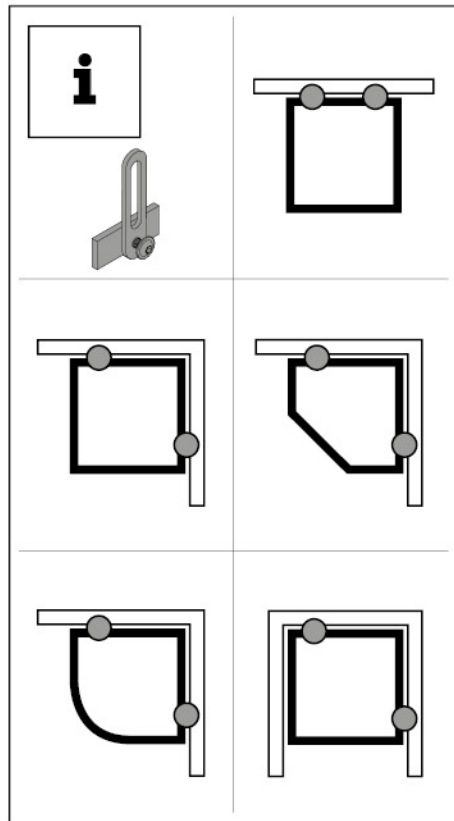
b



Inch = mm x 0,0394

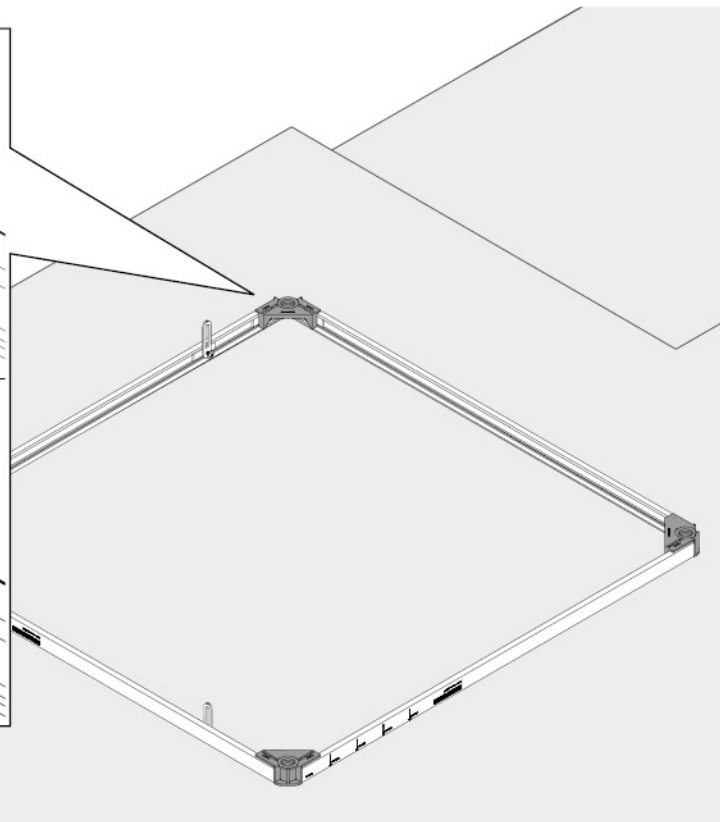
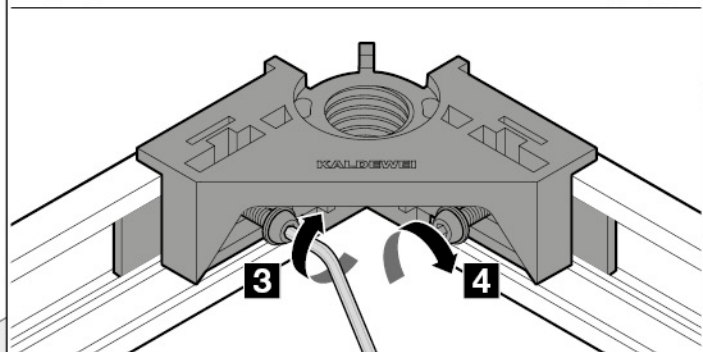
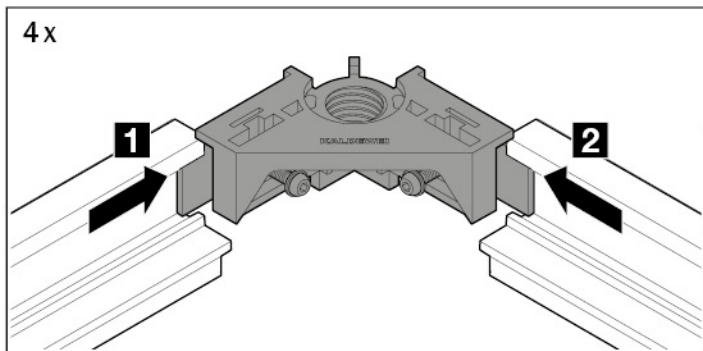


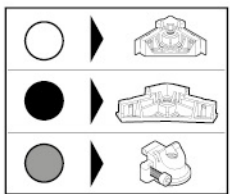
4.



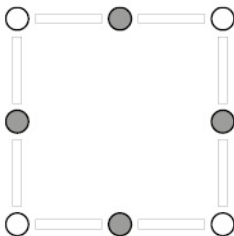


4x

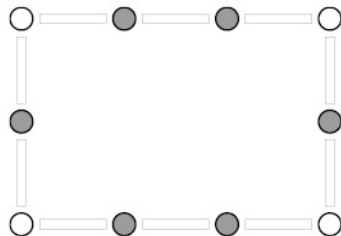




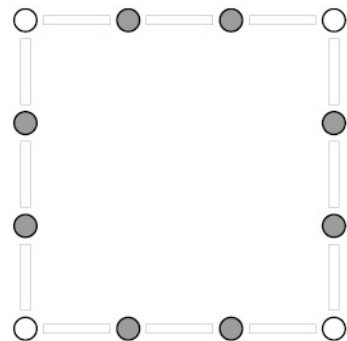
4x


 $\leq 1200 \times 1200 \text{ mm}$

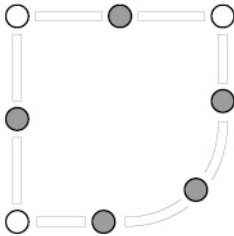
6x


 $\leq 1500 \times 1800 \text{ mm}$

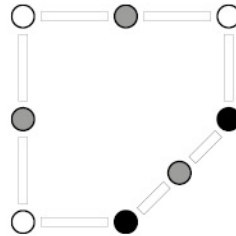
8x


 $\leq 1500 \times 1500 \text{ mm}$

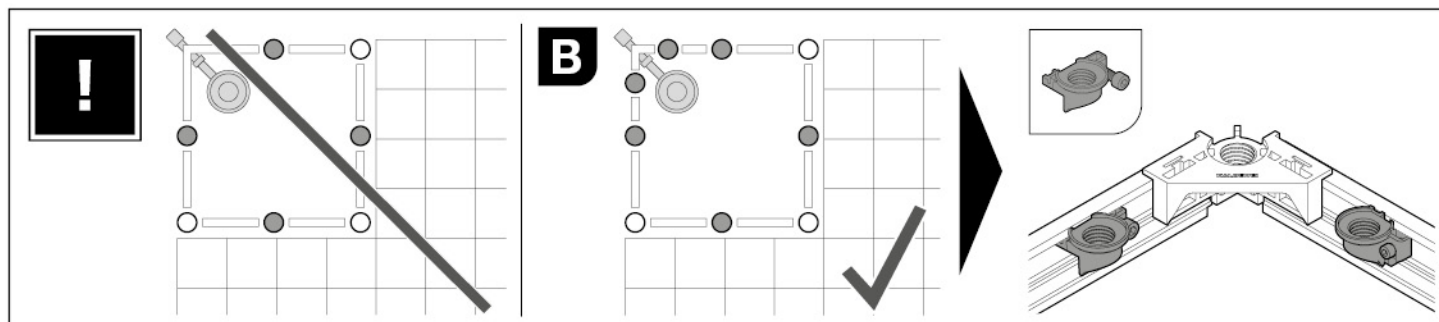
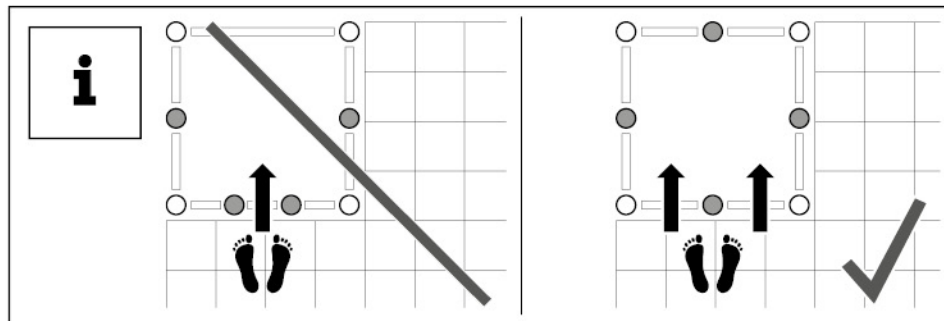
5x

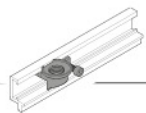

 $\leq 1000 \times 1000 \text{ mm}$

3x

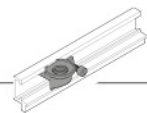

 $\leq 1000 \times 1000 \text{ mm}$

Inch = mm x 0,0394

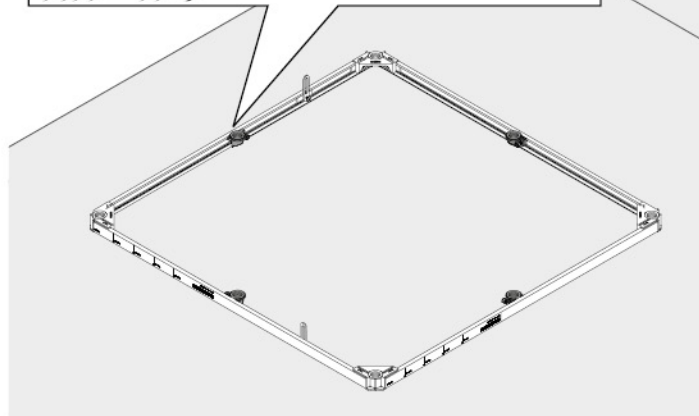
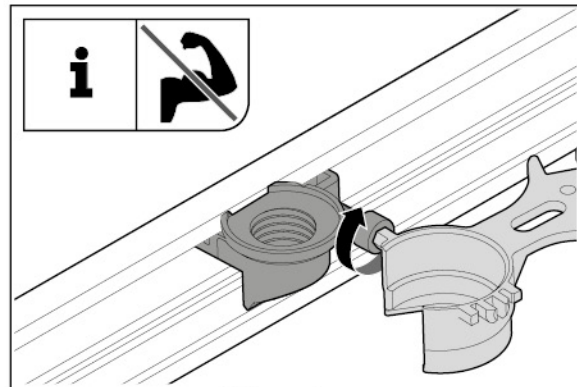
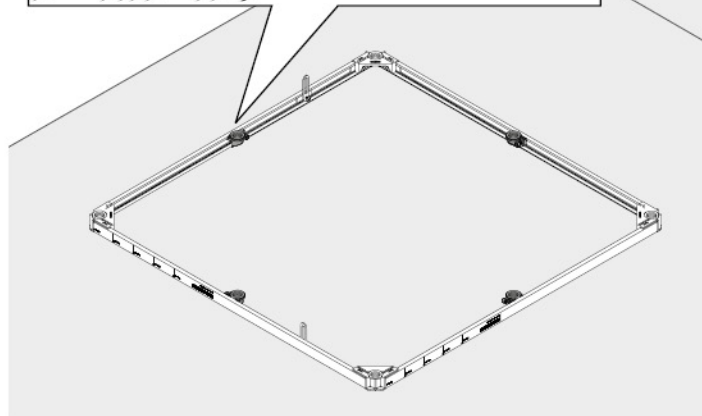
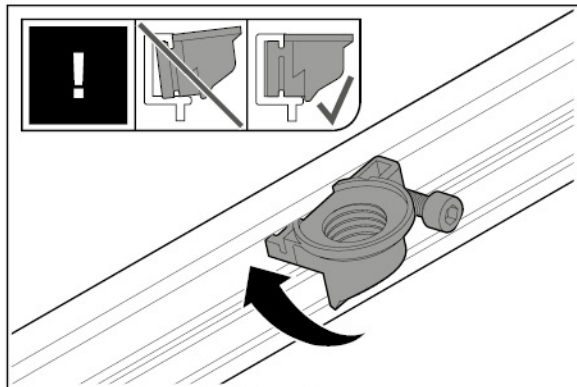




6.

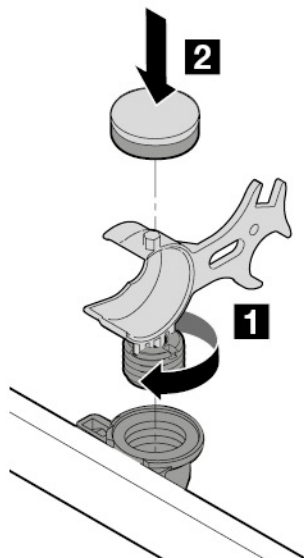
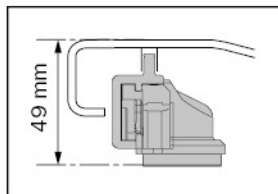


7.

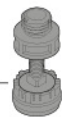
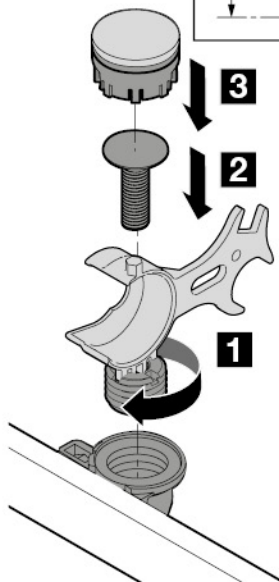
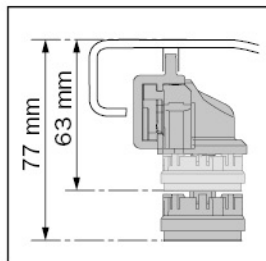




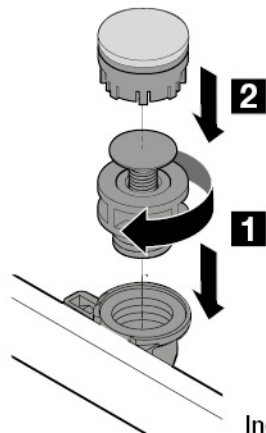
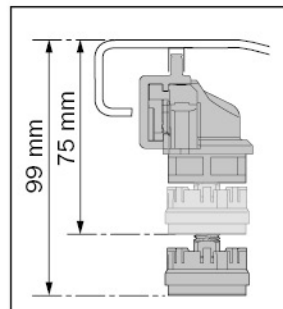
a **8.**



b **8.**



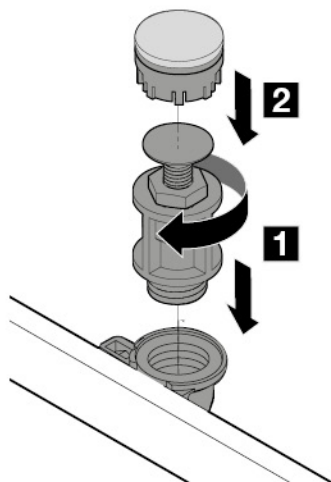
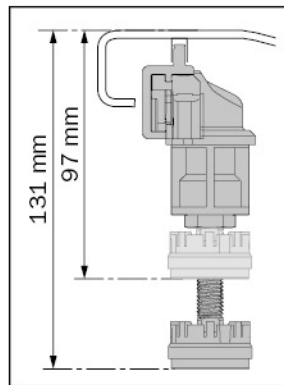
c **8.**



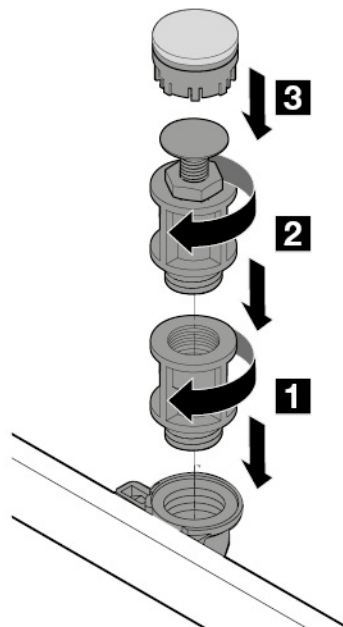
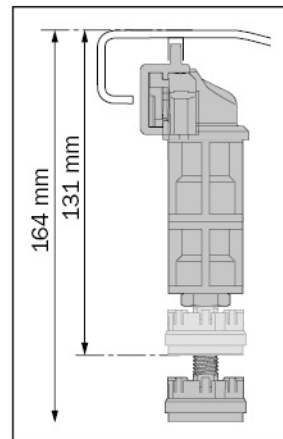
Inch = mm x 0,0394



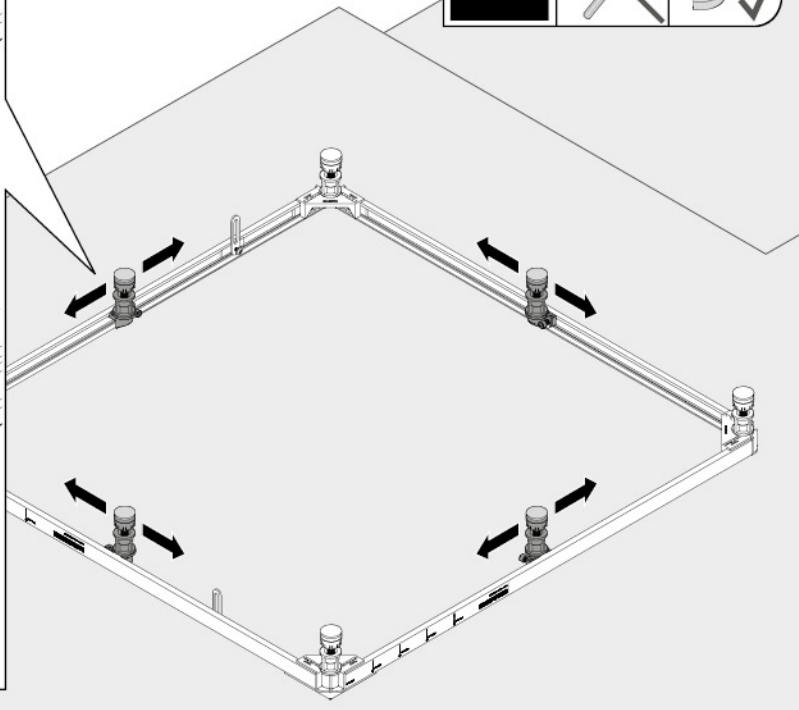
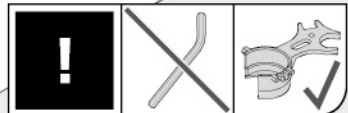
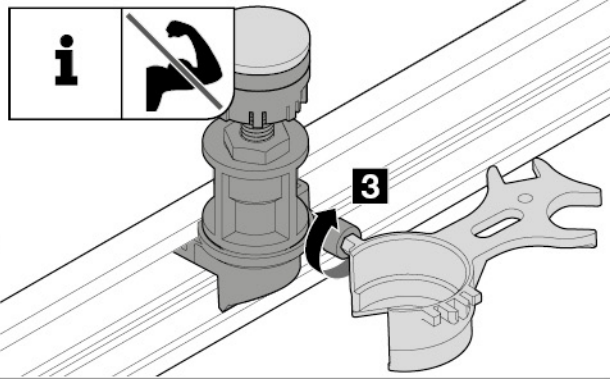
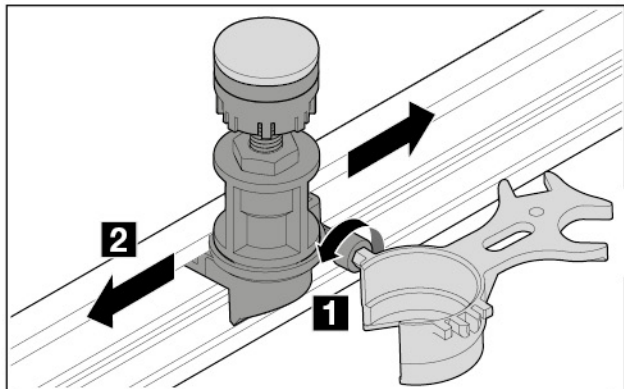
d 8.

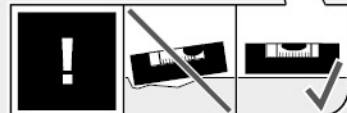
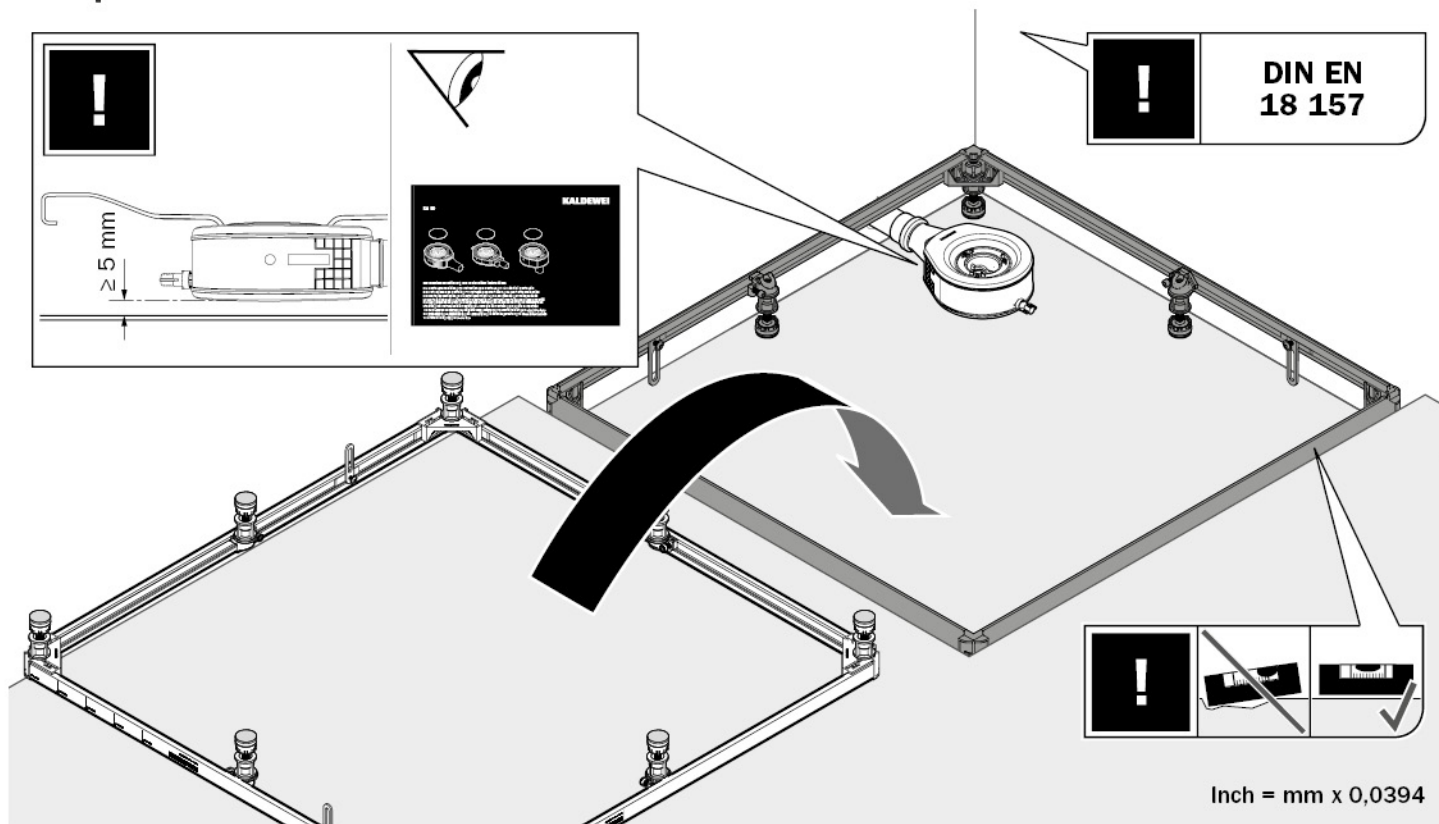
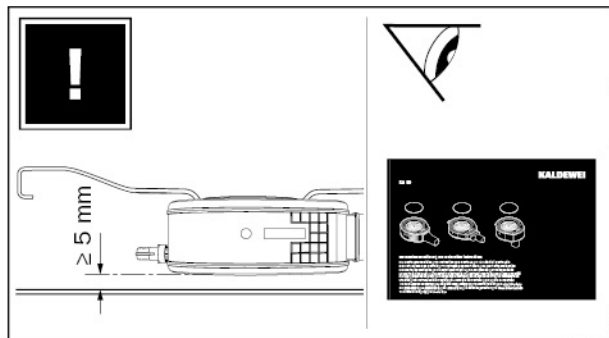


e 8.



Inch = mm x 0,0394

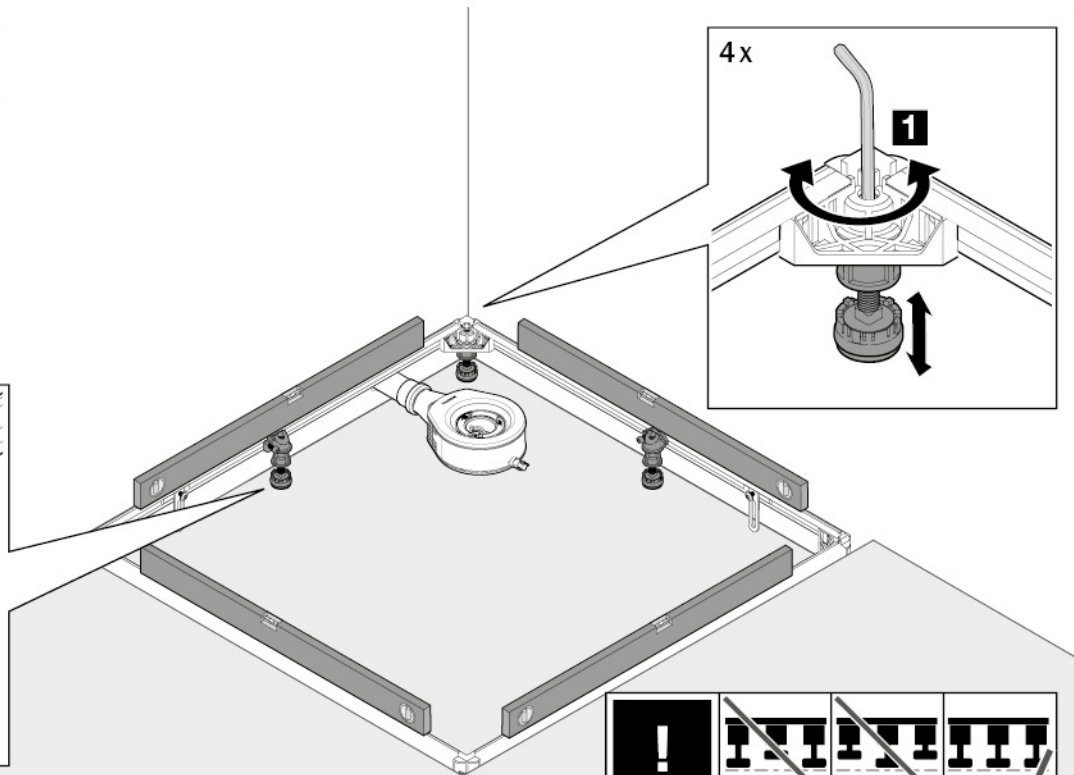
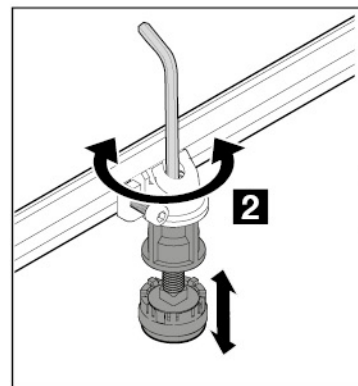
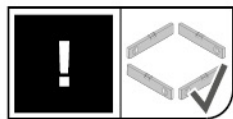
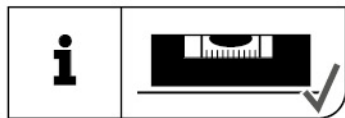


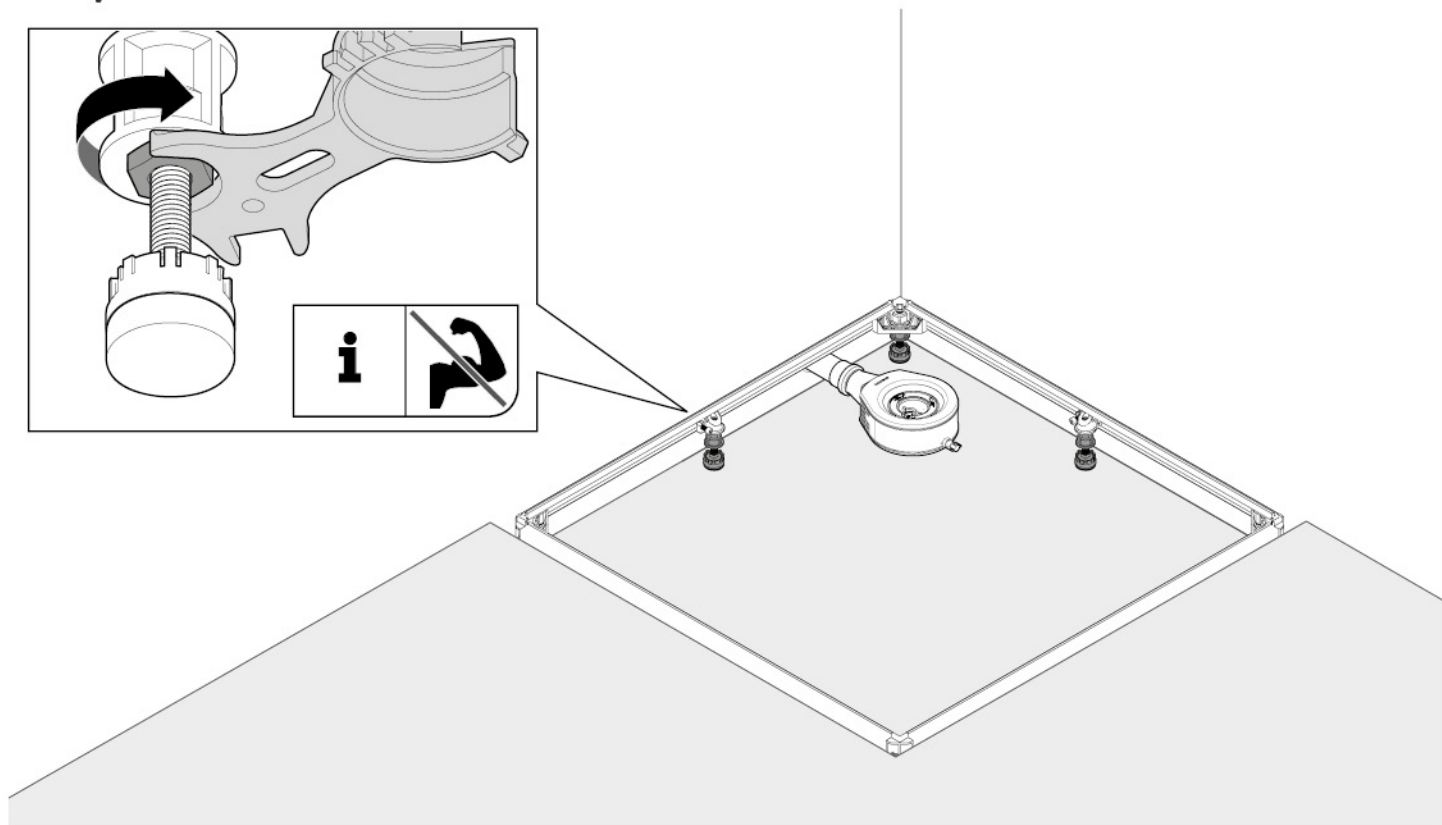
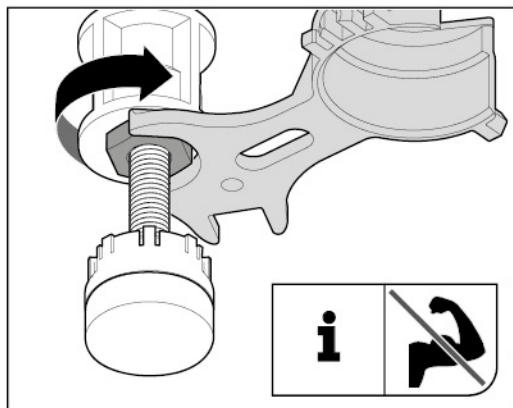


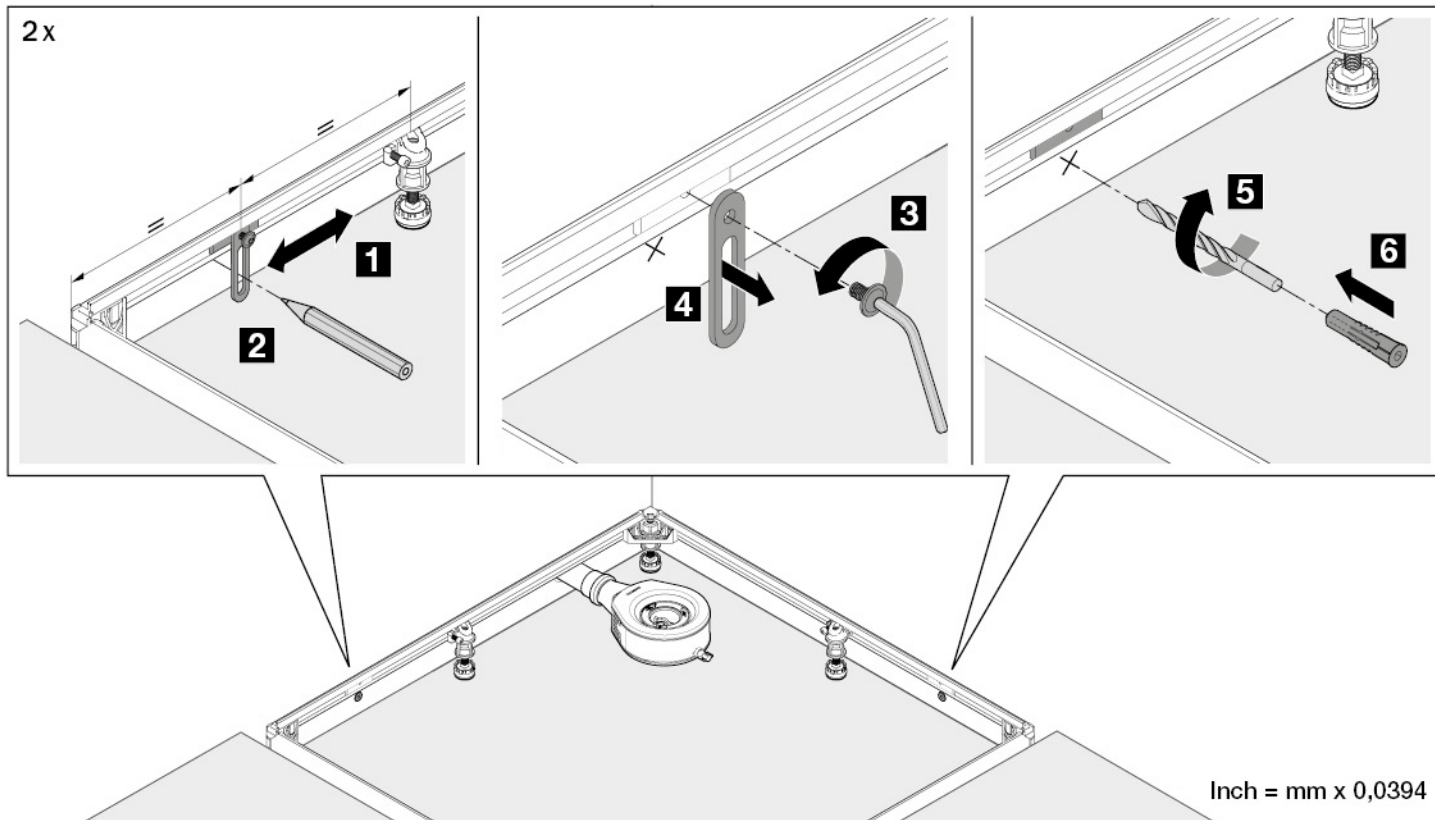
Inch = mm x 0,0394

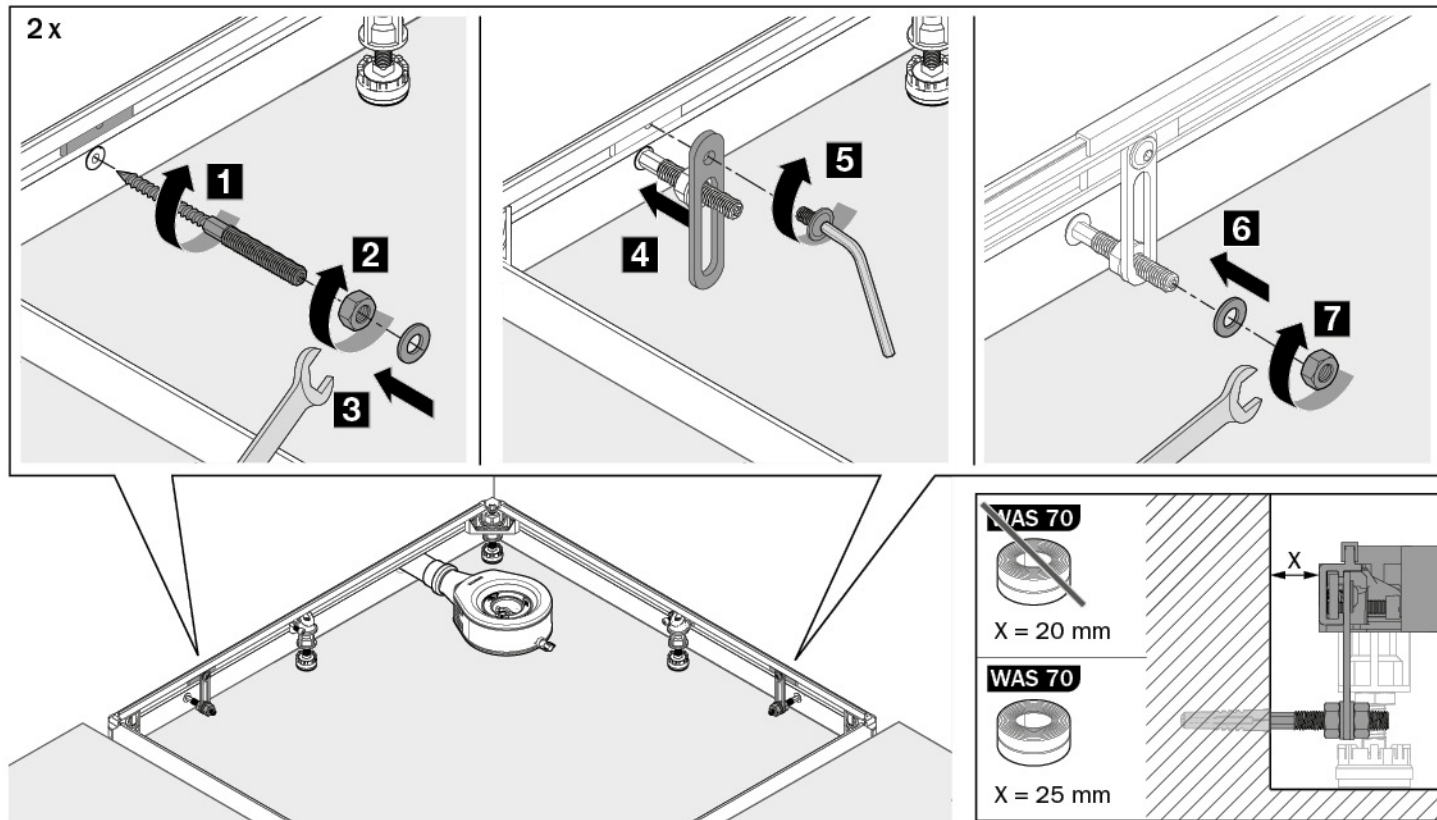


b c d e 10.



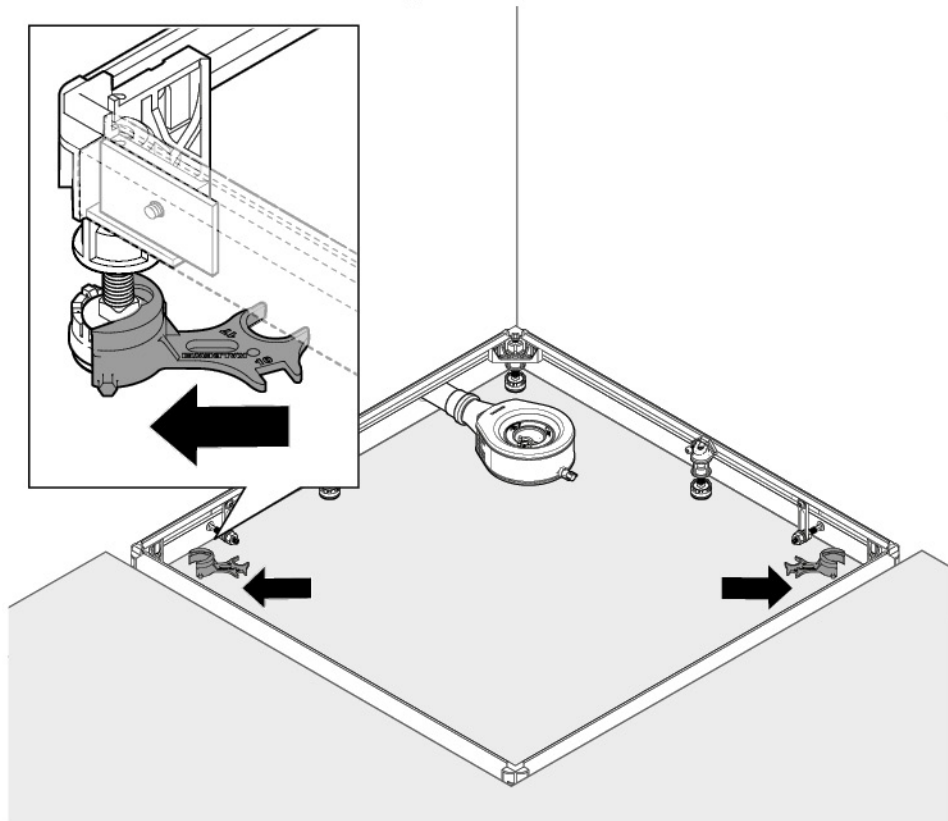
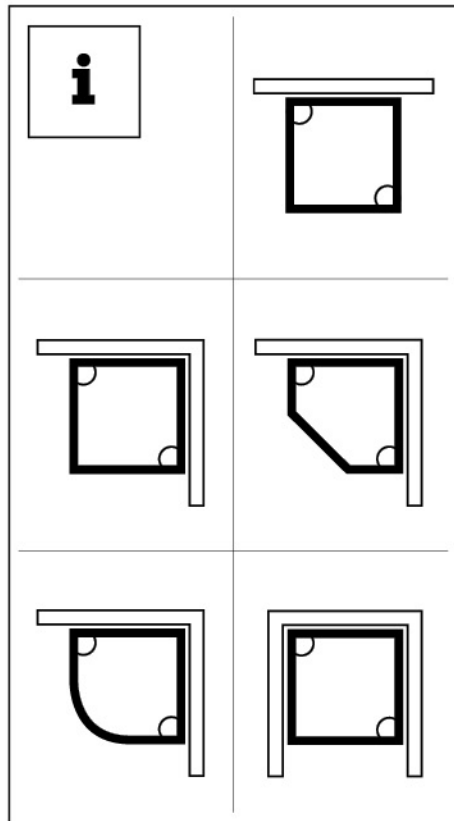






FR 5300 FLEX PLUS

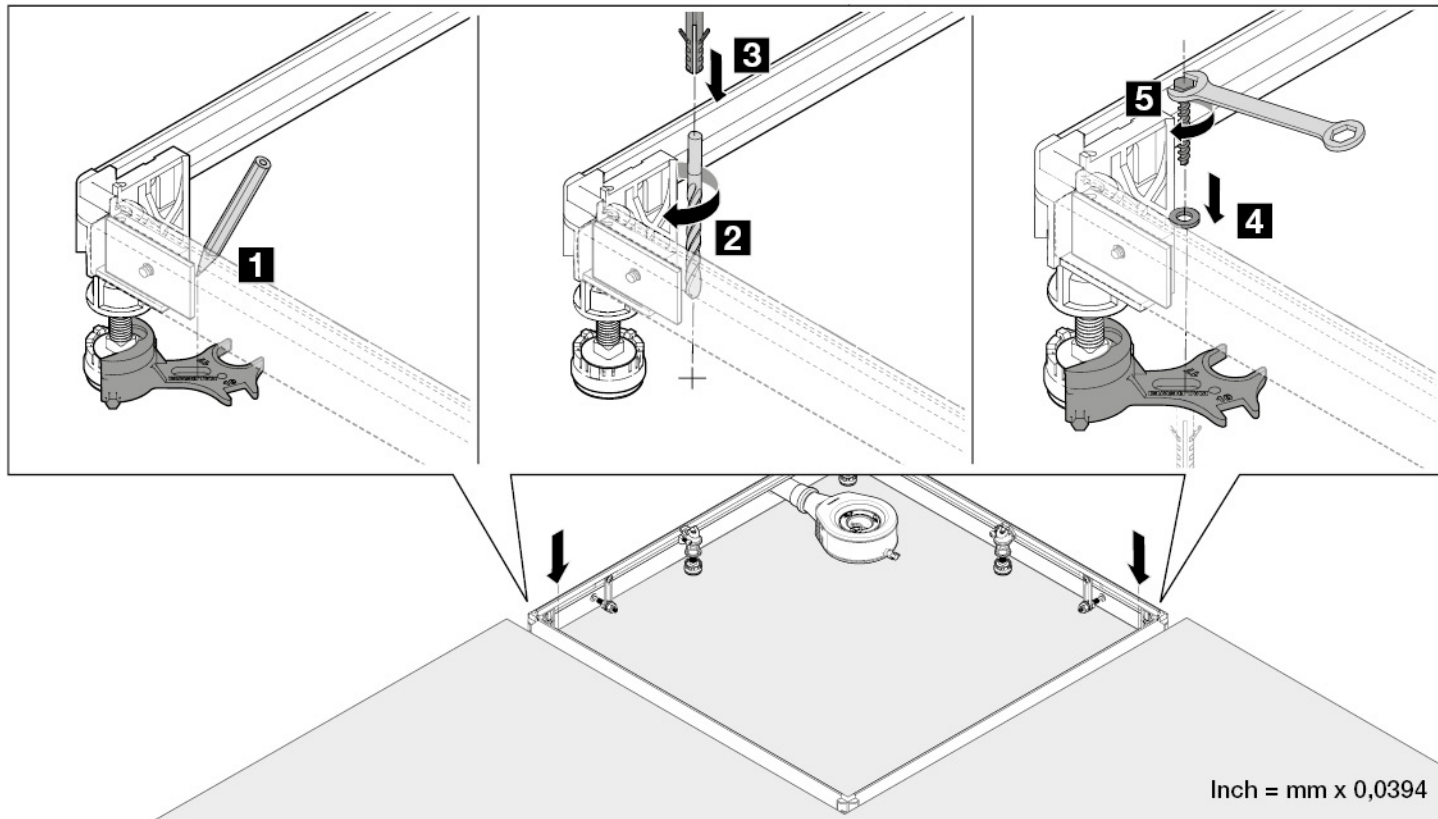
B 14.



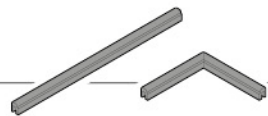
FR 5300 FLEX PLUS



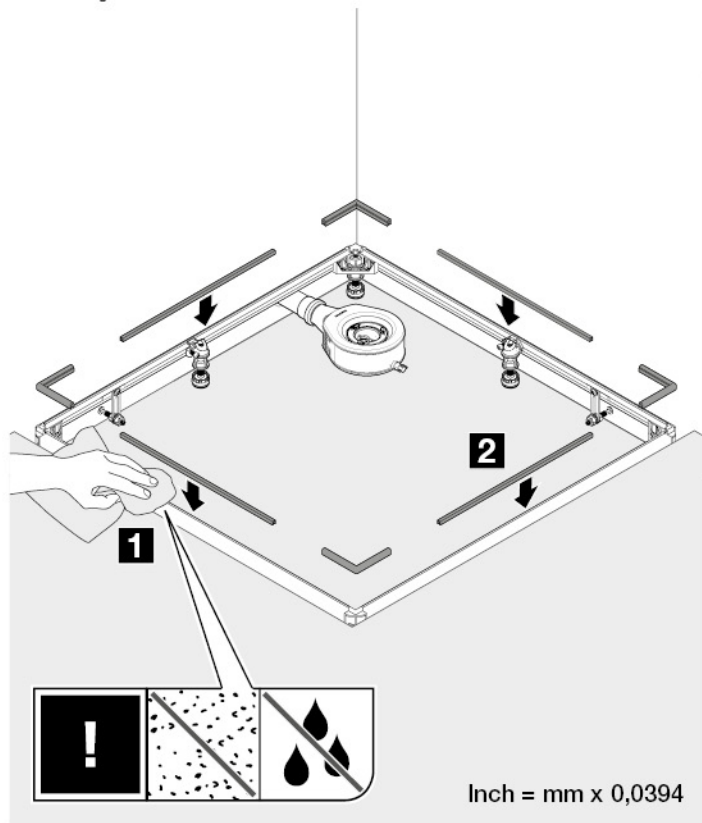
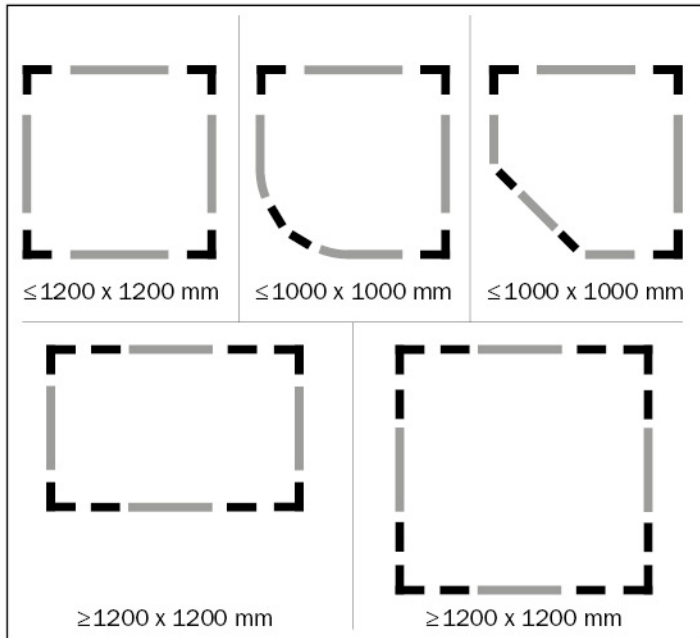
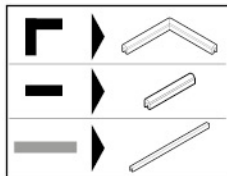
B 15.

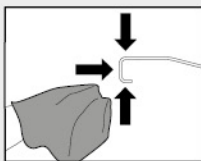
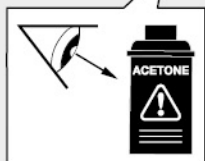
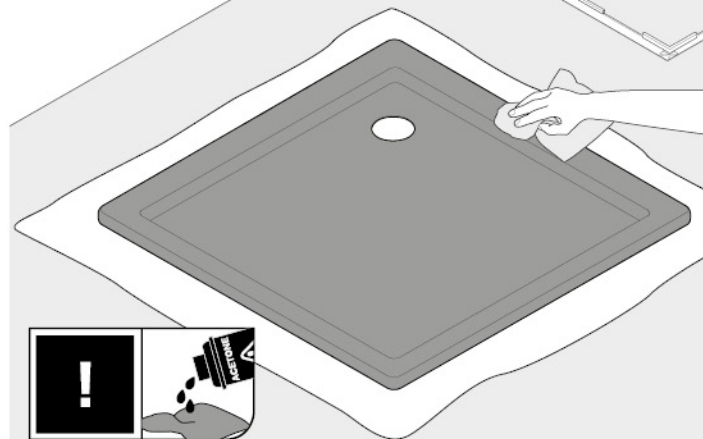
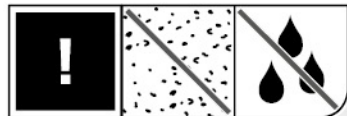
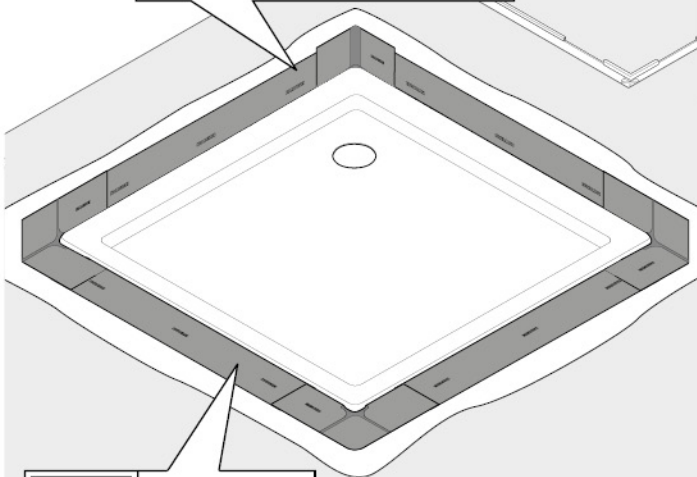
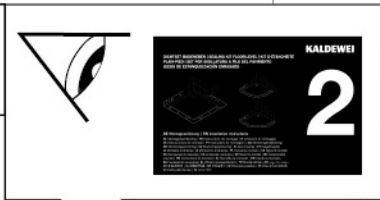
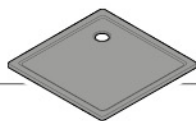


Inch = mm x 0,0394



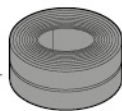
16.



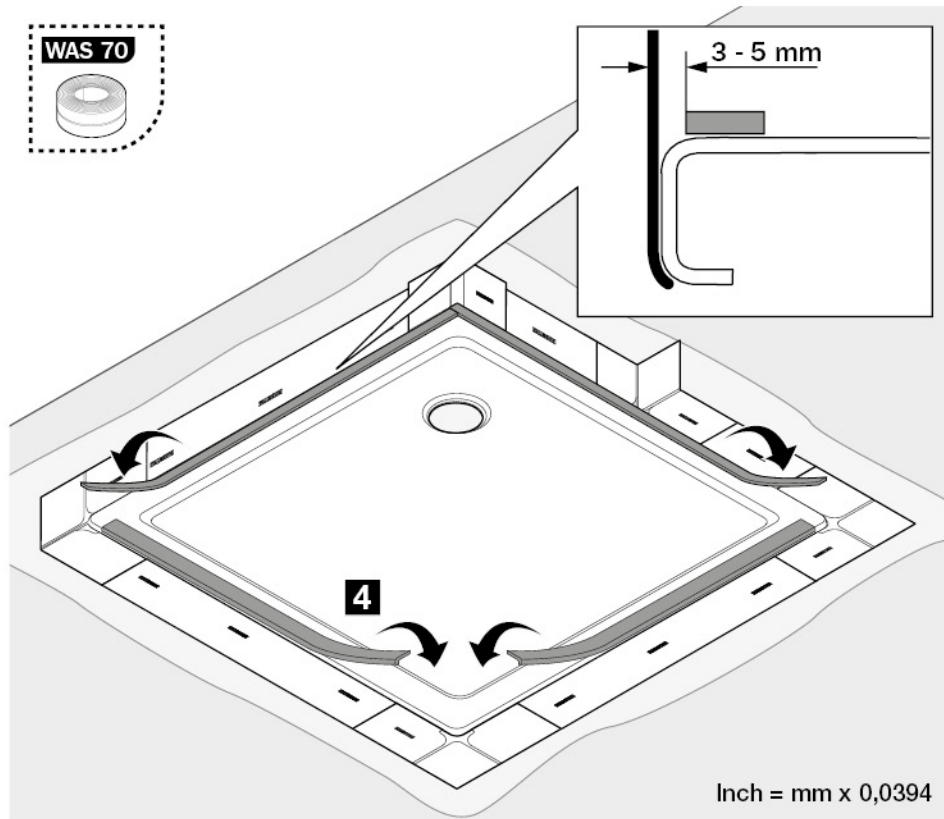
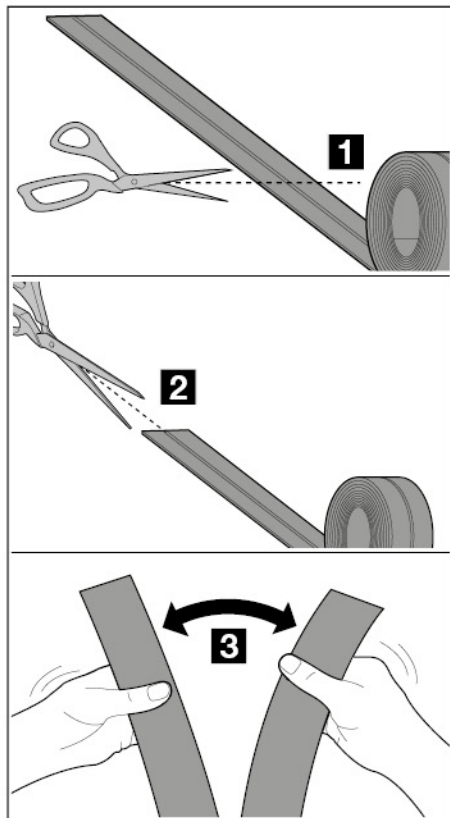
17.**18.**

**DIN
18 534**

FR 5300 FLEX PLUS

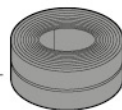


B 19.

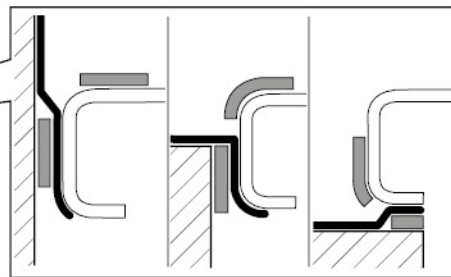
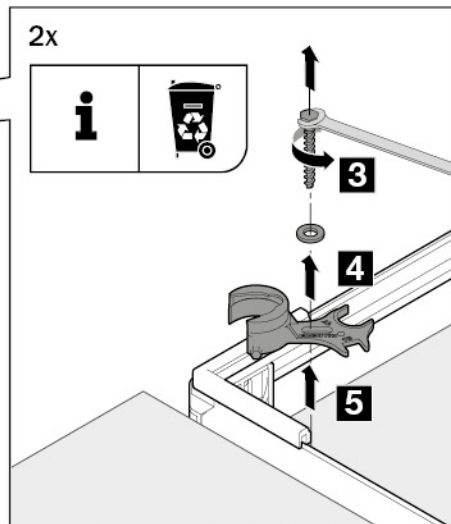
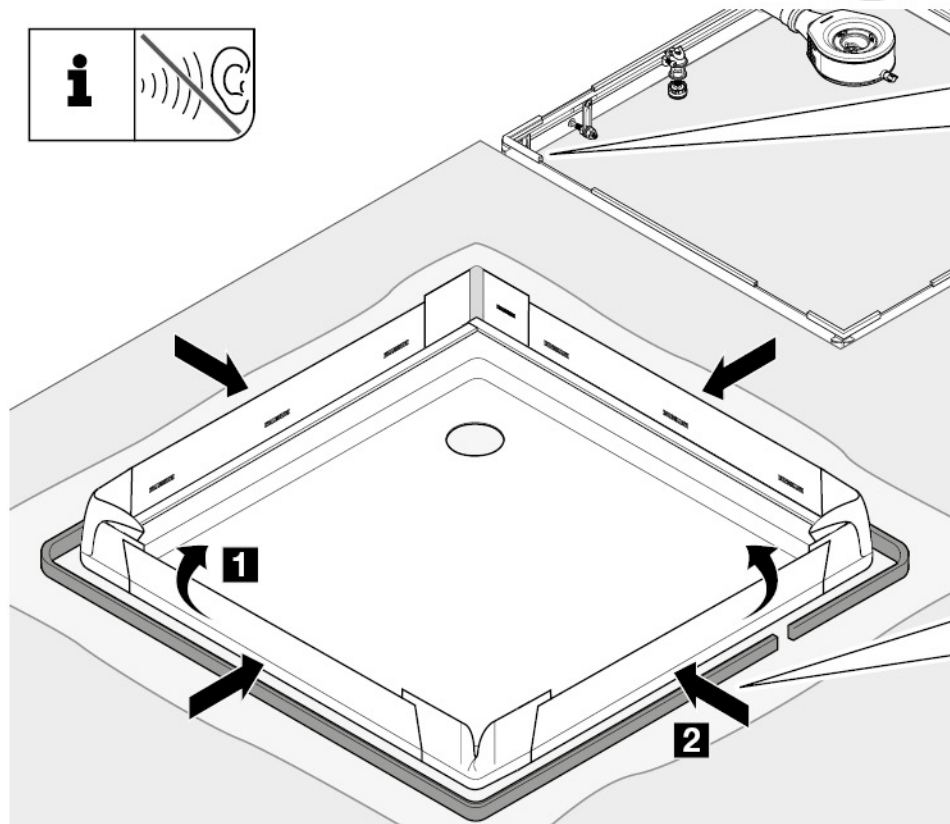


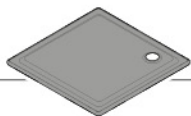
Inch = mm x 0,0394

FR 5300 FLEX PLUS



B 20.





21.

! ≥ 900 mm **22.** < 900 mm **24.**

a

b

+

b 22.

www.kaldewei.com

i **CONOFLAT
SCONA**

+

www.kaldewei.com



!

> 400 cm²

> 900 mm

● = Ø 220 mm

■ = 200x200 mm

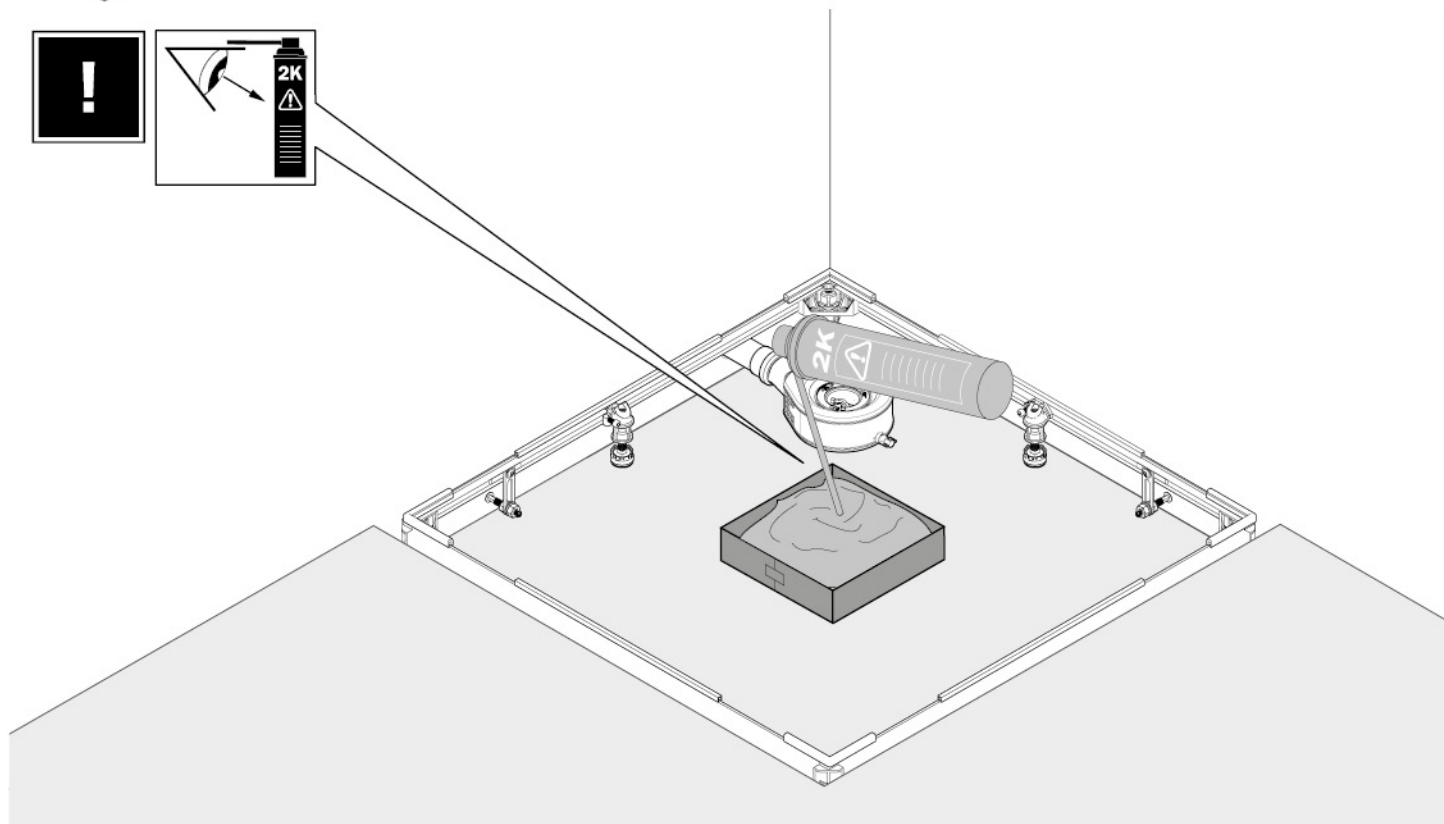
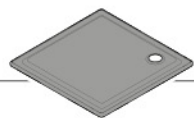
> 1200 mm

● = 2x Ø 180 mm

■ = 2x 150x150 mm

i

Inch = mm x 0,0394

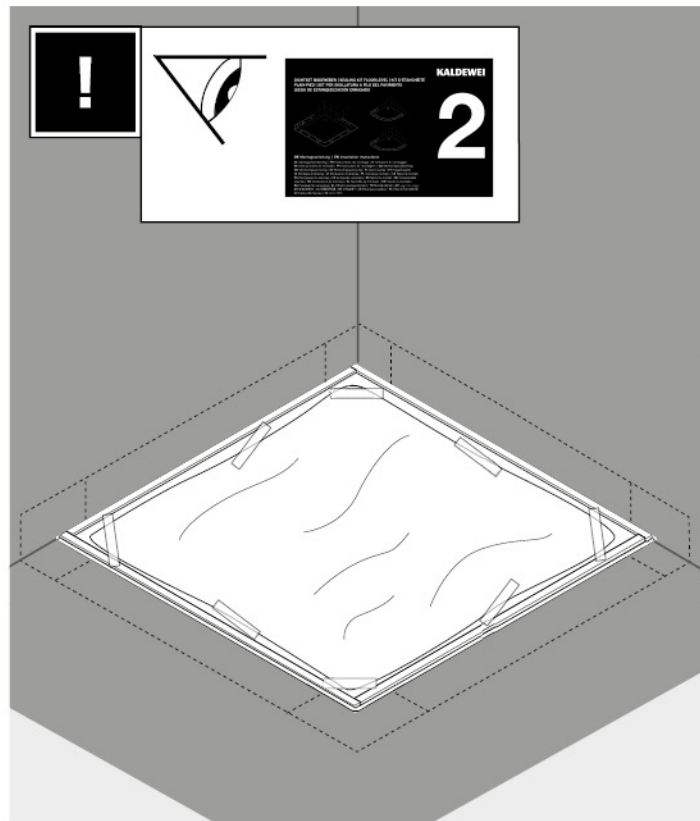
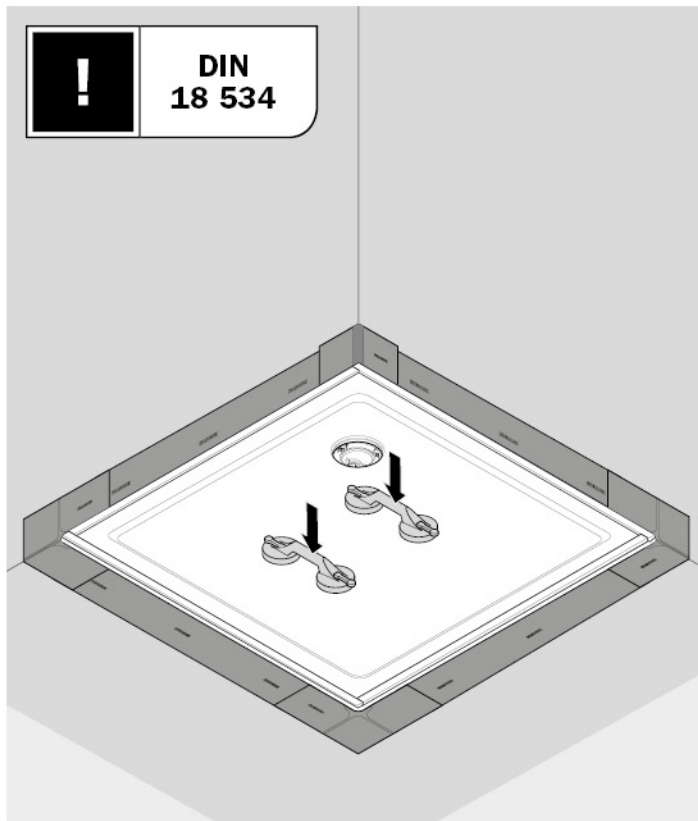




24.

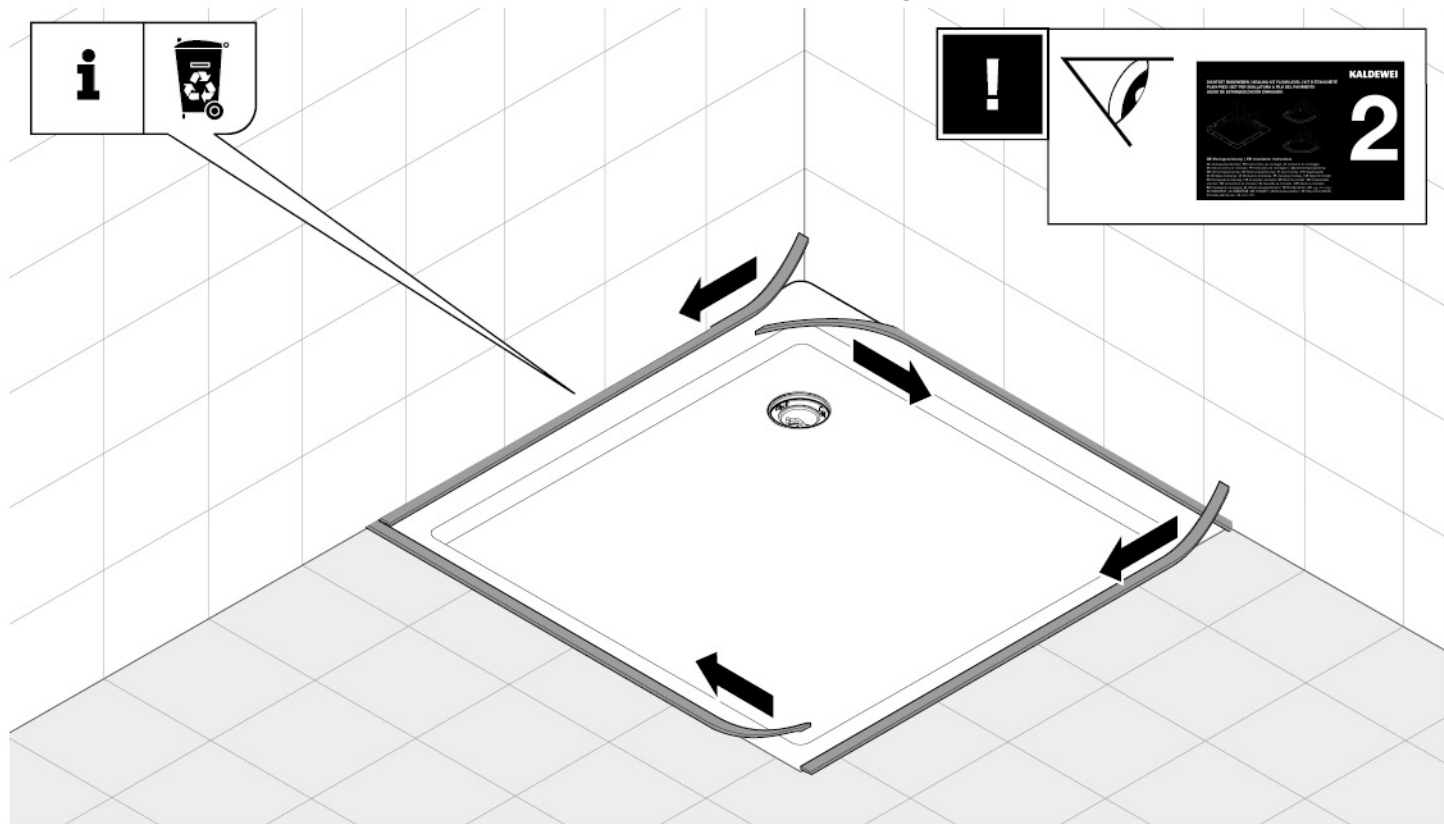
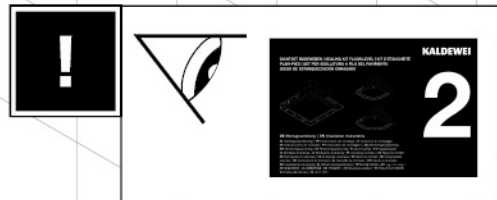
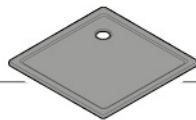


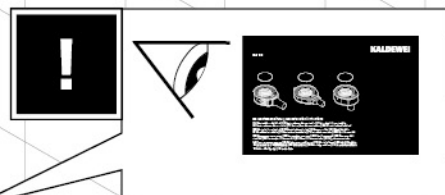
25.



FR 5300 FLEX PLUS

B 26.





1

2

3

4





KALDEWEI



Franz Kaldewei GmbH & Co. KG
Beckumer Str. 33-35

D-59229 Ahlen

 +49 2382 785 0

 +49 2382 785 200

www.kaldewei.com

