

TECHNICAL DATA SHEET

GB5 BI FOLD DOOR SHOWER ENCLOSURE & SIDE PANEL

GB5BF70CUC
GB5BF76CUC
GB5BF80CUC
GB5BF90CUC
GB5BF10CUC



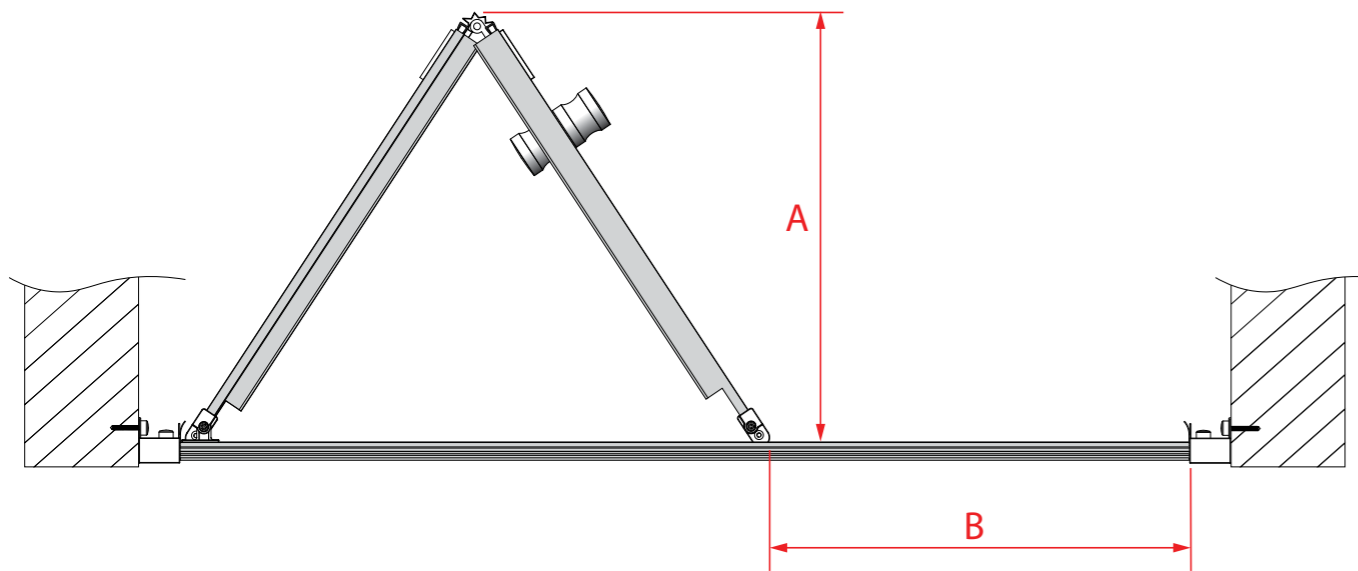
CORAM
SHOWERS

HEIGHT & WEIGHT

CORAM PRODUCT CODE	DESCRIPTION	WEIGHT GROSS KG	HEIGHT (MM)	WIDTH (MM)
GB5BF70CUC	GB5 BIFOLD DOOR 700MM CLEAR GLASS CHROME FRAME	21	1800	700
GB5BF76CUC	GB5 BIFOLD DOOR 760MM CLEAR GLASS CHROME FRAME	23	1800	760
GB5BF80CUC	GB5 BIFOLD DOOR 800MM CLEAR GLASS CHROME FRAME	24	1800	800
GB5BF90CUC	GB5 BIFOLD DOOR 900MM CLEAR GLASS CHROME FRAME	26	1800	900
GB5BF10CUC	GB5 BIFOLD DOOR 1000MM CLEAR GLASS CHROME FRAME	28	1800	1000

all dimensions are in mm

DOOR OPENING DIMENSIONS

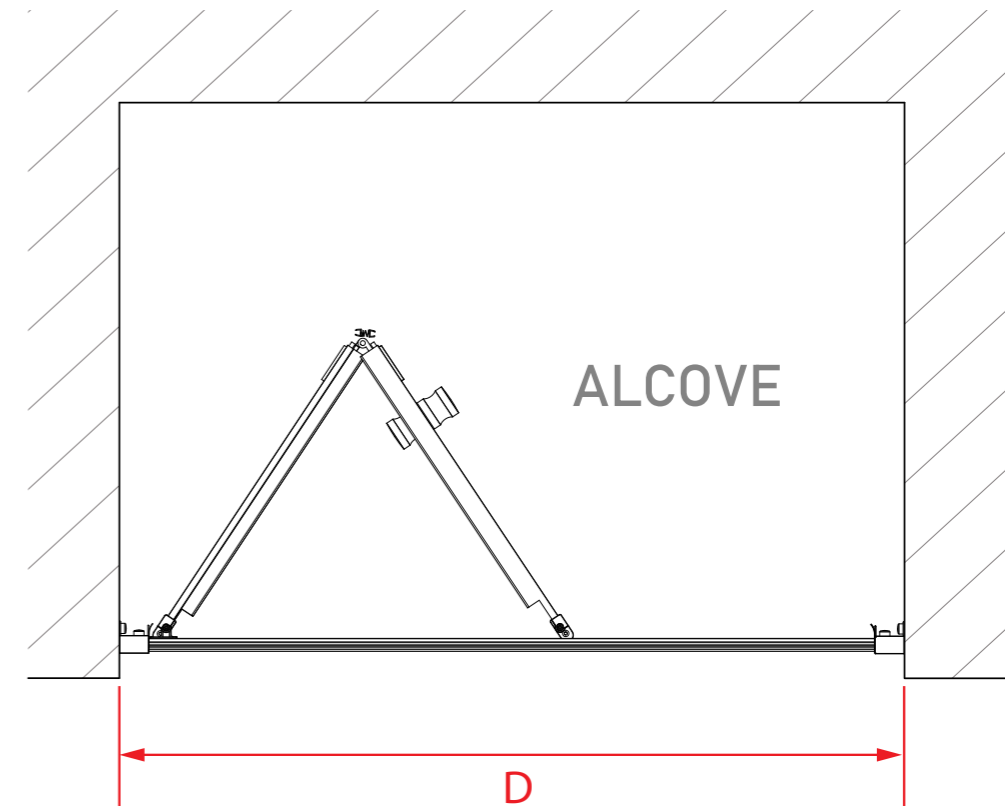


Door Opening Dimensions

CORAM PRODUCT CODE	PROTRUSION INTO ENCLOSURE (A)	DOOR OPENING (B)
GB5BF70CUC	284	440
GB5BF76CUC	314	490
GB5BF80CUC	333	520
GB5BF90CUC	384	610
GB5BF10CUC	432	685

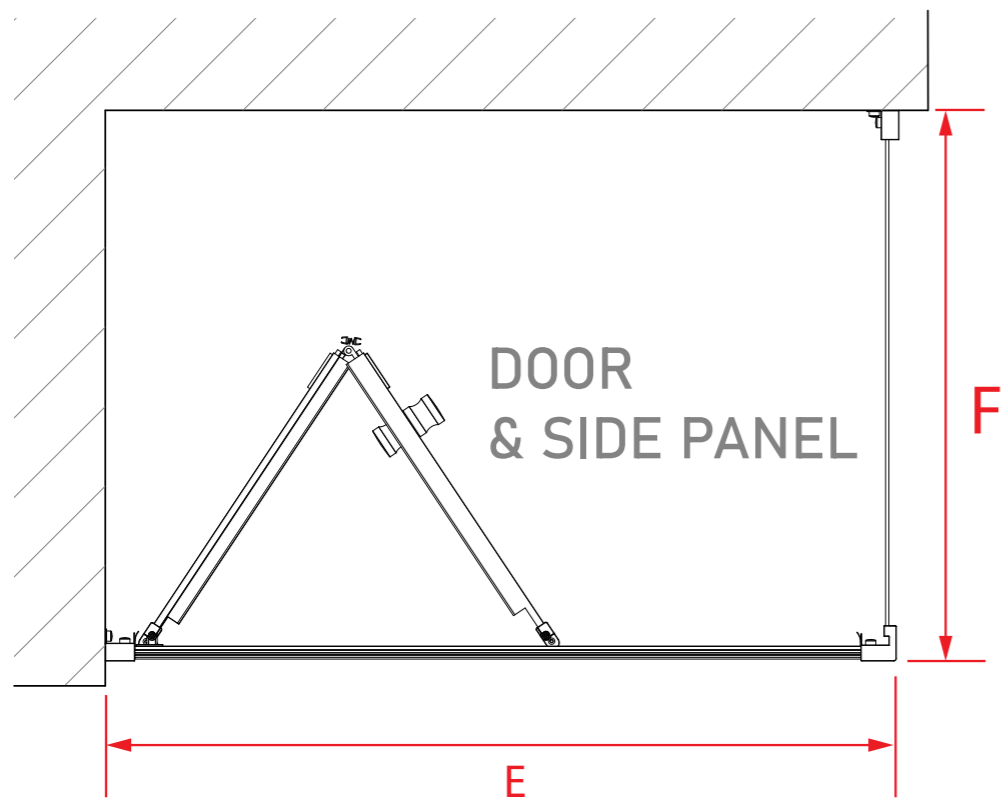
all dimensions are in mm

BI FOLD DOOR ADJUSTMENT



CORAM PRODUCT CODE	OVERALL WIDTH (D)	ADJUSTMENT (DOOR)	AMOUNT OF ADJUSTMENT (PER SIDE)
GB5BF70CUC	700	655-705	25
GB5BF76CUC	760	715-765	25
GB5BF80CUC	800	755-805	25
GB5BF90CUC	900	855-905	25
GB5BF10CUC	1000	955-1005	25

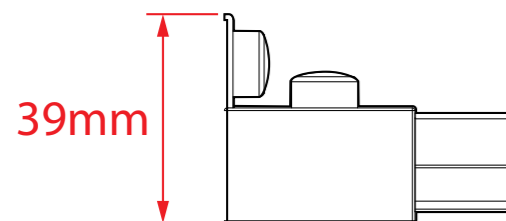
all dimensions are in mm



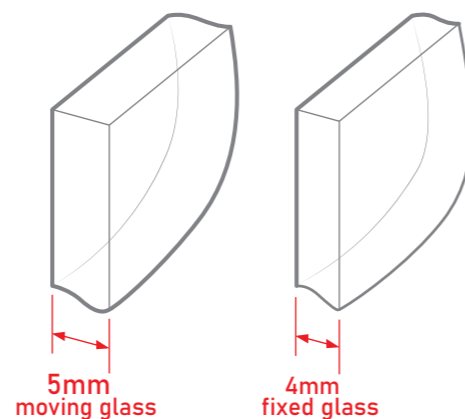
CORAM PRODUCT CODE	OVERALL WIDTH (E)	ADJUSTMENT (DOOR)	AMOUNT OF ADJUSTMENT (PER SIDE)	CORAM SIDE PANEL CODE	SIDE PANEL (F)	ADJUSTMENT (SIDE PANEL)	AMOUNT OF ADJUSTMENT
GB5BF70CUC	700	655-705	25	GB5SP70CUC	700	670-695	25
GB5BF76CUC	760	715-765	25	GB5SP76CUC	760	730-755	25
GB5BF80CUC	800	755-805	25	GB5SP80CUC	800	770-795	25
GB5BF90CUC	900	855-905	25	GB5SP90CUC	900	870-895	25
GB5BF10CUC	1000	955-1005	25	-	-	-	-

all dimensions are in mm

Wall fixing dimension



Glass thickness



CORAM
SHOWERS

CUSTOMER CARELINE 01460 256080

www.coram.co.uk

technicalsupport@coram.co.uk

Coram Showers, Conquest Business Park
Cad Road, Ilton, Somerset, TA19 9EA

CORAM
SHOWERS