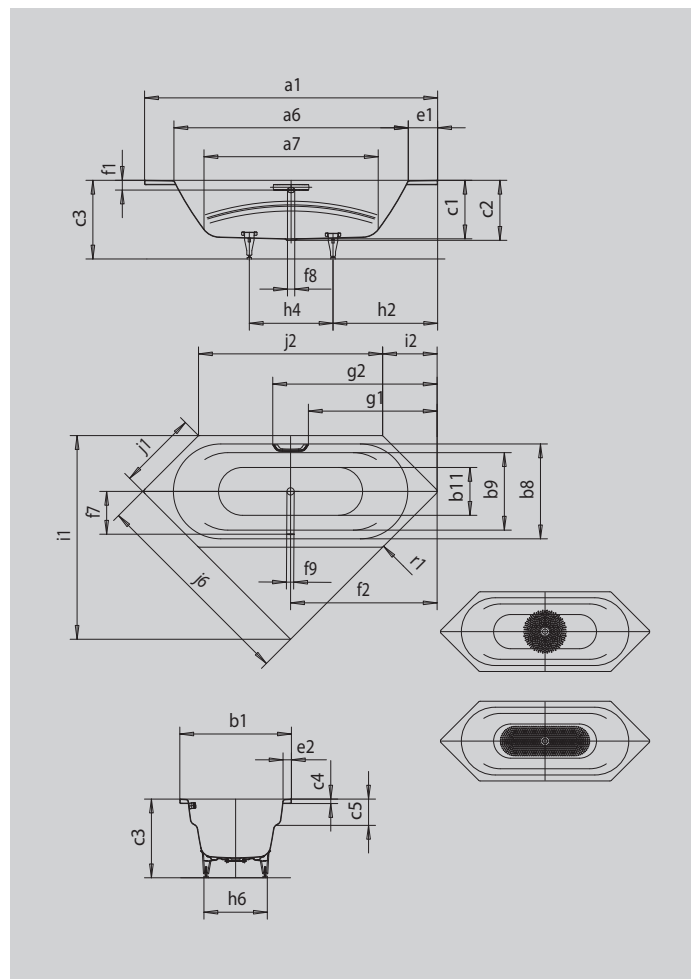


VAIO DUO 6

- Diverse installation possibilities, also corner installation
- With integrated arm rests
- Bathing with a friend: two identical back rests and centrally positioned waste
- Made of KALDEWEI steel enamel



Similar illustration



GRIP DISCREET OPULENCE



Model		952
External length [mm]	a ₁	2100 mm
Internal length (top) [mm]	a ₆	1680 mm
Internal length (bottom) [mm]	a ₇	1248 mm
External width [mm]	b ₁	800 mm
Internal width (top) [mm]	b ₆	680 mm
Internal width (top) bathing area without armrest	b ₉	555 mm
Internal width (bottom) [mm]	b ₁₁	496 mm
Depth inside [mm]	c ₁	420 mm
Depth incl. waste hole [mm]	c ₂	430 mm
Height with feet [mm]	c ₃	550 - 590 mm
Height of rim [mm]	c ₄	32 mm
Armrest depth [mm]	c ₅	180 mm
Width of rim (foot end; long side) [mm]	e ₁ ; e ₂	210; 60 mm
Distance top edge to centre of overflow hole [mm]	f ₁	70 mm
Distance bath edge to centre of waste hole [mm]	f ₂	1050 mm
Distance centre of waste hole to centre of overflow hole [mm]	f ₇	332 mm
Diameter of overflow hole [mm]	f ₈	Ø 52 mm
Diameter of waste hole [mm]	f ₉	Ø 52 mm
Distance bath edge (foot end) to start of grip [mm]	g ₁	923 mm
Distance bath edge (foot end) to end of grip [mm]	g ₂	1178 mm
Distance foot end of bath edge to centre of foot [mm]	h ₂	750 mm
Distance between the feet [mm]	h ₄	600 mm
Width of feet max. [mm]	h ₆	455 mm
Installation dimension [mm]	i ₁	1460 mm
Angled edge [mm]	i ₂	390 mm
Side length [mm]	j ₆	1499 mm
Length of sides	j ₁ ; j ₂	566; 1320 mm
External radius [mm]	r ₁	23 mm
Water volume [l]		155 l
Net weight [kg]		50 kg
Diameter of anti-slip [mm]		Ø 435 mm
Full anti-slip		900 x 300 mm

Subject to technical alterations, tolerances and errors. Similar illustration. 70 litres displacement on average.

KALDEWEI